



high voltage cable coupler 17,5 kV

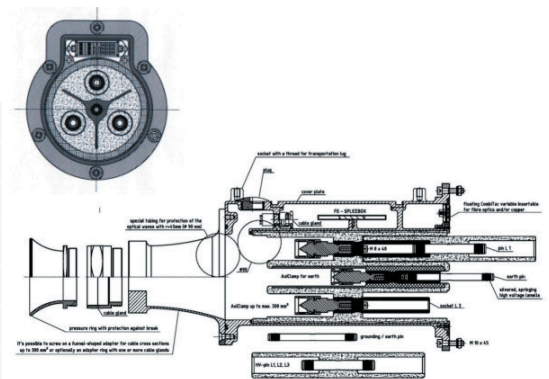
mode of protection  I M2 EEx d I
 II 2G EEx d IIB
 IP66/68 - 24 bar

type	96xxx
------	-------

the cable coupler is to be used for the simultaneous connection of high voltage cables together with pilot and/or supervising and controlling conductors (copper and/or fibreoptical type).

EC-Type-Examination-Certificate IBExU04ATEX1222X

rated voltage	17,5 kV~
rated current	400 A
frequency	50 - 60 Hz
rated voltage / signal conductors	60 V-
rated current / signal conductors	35 A
supervising conductors	60 V- / 35 A
cable cross section	25-35 up to 240-300 mm ²
ambient temperatur	up to 100°C (T5)
electric strength insulator	45 kV/mm
electric strenght potting compound	23 kV/mm
fibreoptical cables	Single Mode 9/125 µm



**dimension with adapterring:
490 x 350 mm**

description

The body of the high voltage coupler is made of Olkusil (red bronze) / stainless steel X3CrNiMo 13-4. Coupler gender is always female, assuring the connectivity of both cable ends. Connection between bolts and sockets is made with high voltage lamellae. CombiTac equipped with up to 18x FO or 18x copper conductors or a mix of both. Connection of the conductors via connection pins (AxiClamps) with lamellas too (no soldering etc. necessary). Connection of the FOs with standard splice-cassette with bending/overstress protection. Potting compound: cast resin, optionally reenterable cast resin. Transportable with 2 hooking points.

optional
 cable glands for single core cables 25mm² up to 120mm²
 Mounting skid

type	rated voltage	cable cross section	copper conductors	FO	kgs (weight)
96...	3,6 kV or 7,2 kV or 12 kV or 17,5 kV	25 - 35 mm ²	6	0	ca. 50
		or 50 - 70 mm ²	12	0	
		or 95 - 120 mm ²	18	0	
		or 150 - 185 mm ²	0	6	
		or 240 - 300 mm ²	0	12	
			6	18	
			6	6	
		6	12		
			12	6	